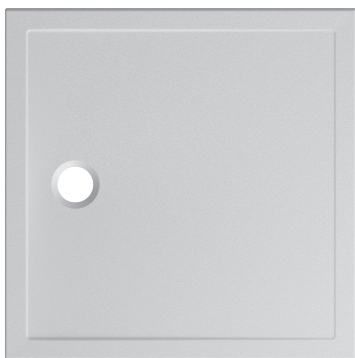


DOCCIATRE PLUS DTP090BP

CE EN 14527:2019


DIN 51097

Slip resistance at an angle of 22,2° according DIN51097

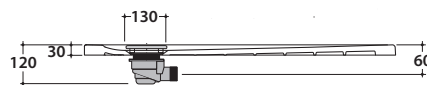
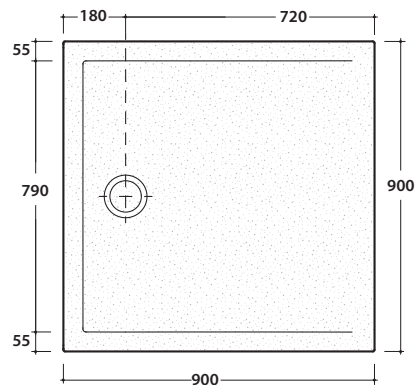


 Shower-tray, sit-on installation

 Shower-tray, floor-level installation

 Shower tray with non slip finish

GLOBO



Cod. **DTP090BP**

Rough stone effect shower tray 90x90 h3 cm in ceramic. No-slip surface. Sit-on or floor-level installation. Weight 26 Kg.



Cod. **DS009**

Siphoned chrome drain for shower trays DOCCIAVIVA H 4,5, DOCCIATRE and DOCCIATRE PLUS. \varnothing 90. Discharge flow rate 30 l/m.



Cod. **DVR2BP**

Siphoned drain with ceramic cover for shower trays DOCCIAVIVA H 4,5 and DOCCIATRE. \varnothing 90. Discharge flow rate 30 l/m.

* Availability of colours

Code | Colour

BP | Bianco pietra

