

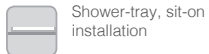
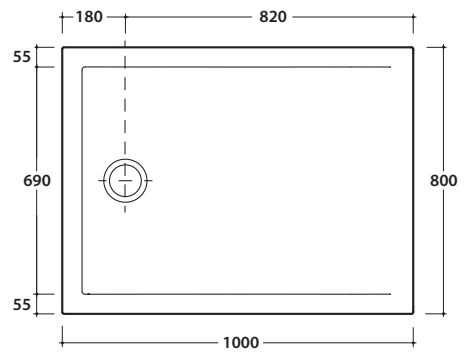
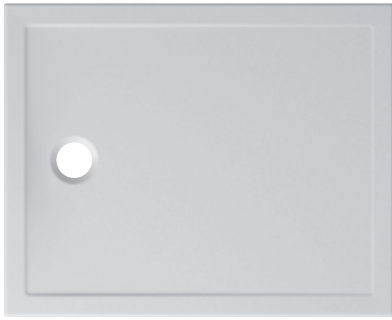
# DOCCIATRE DTL101

CE EN 14527:2019

DIN 51097

Slip resistance at an angle of 22,2° according DIN51097

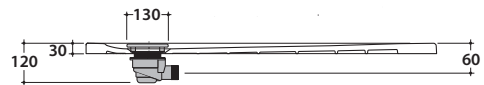
# GLOBO



Shower-tray, sit-on installation



Shower-tray, floor-level installation



Cod. **DTL101**

Ceramic shower tray 100x80 h3 cm. Sit-on or floor-level installation. Weight 26 Kg.



Cod. **DS009**

Siphoned chrome drain for shower trays DOCCIAVIVA H 4,5, DOCCIATRE and DOCCIATRE PLUS.  $\varnothing$  90. Discharge flow rate 30 l/m.



Cod. **DVR1BI**

Siphoned drain with ceramic cover for shower trays DOCCIAVIVA H 4,5 and DOCCIATRE.  $\varnothing$  90. Discharge flow rate 30 l/m.