

# DAILY DNS09BI

CE EN 14528:2018

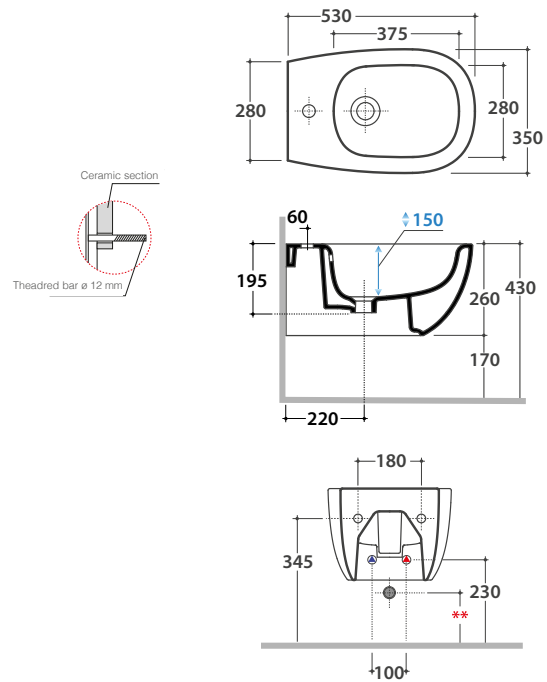
Cod. **DNS09BI**

Wall-hung bidet 53.35 h26 cm. Fixing kit included. Weight 18 Kg



# GLOBO

Inspired by **Life**



CERASLIDE®



BATAFORM®



Bagno di Colore  
White Matt

\*\* For installation with:  
Siphon "S"- 140 mm  
Siphon SF052- 120 mm

Cod. **FI012BI**

Push open valve drain with ceramic top for basins with overflow. Weight 0,5 Kg



Cod. **FI012CR**

Push open chromed valve drain for basins with overflow. Weight 0,5 Kg



Cod. **PU001**

Acoustic and crash protection.



Cod. **FI002**

Fixing brackets for W/H sanitary. Weight 2,5 Kg





CE EN 14528:2018

**GLOBO**  
Inspired by **Life**



### Tips for proper cleaning

#### Ceramic cleaning

We recommend the use of warm water in combination with non-abrasive cleaning products

#### Click to view or download



DOP N° B001-01



Assembly instructions wall-hung  
sanitary ware



Video instructions wall-hung  
sanitary ware



CERASLIDE®

Is the result of years of research, on the glazes and the ceramic application, that ensures more protection, more resistance and ease of cleaning. The careful control of temperatures in the various cooking stages, in a cycle that can last up to 26 hours, ensures perfect homogeneity of the product during the sintering process, reducing porosity and guaranteeing greater resistance against stains, dirt and abrasions.



BATAFORM®

The antibacterial bataform treatment was developed to ensure deeper hygiene, basing its effectiveness on the reaction of silver ions, which inhibit the proliferation of bacteria. tests carried out by certified laboratories, according to the uni4543 standard, have confirmed a drastic decrease in the presence of bacteria, without however altering the glossy glaze. for cleaning operations, follow the recommendations given for the ceraslide glaze.