

LALITA BASIN LT061

CE EN 14688:2015

GLOBO



Ceramic antibacterial effect
BATAFORM®



Bagni di Colore



Glazed product with
CERASLIDE®



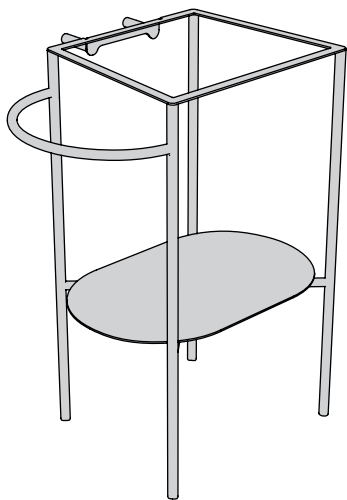
GLOBOTHIN®



Le Pietre

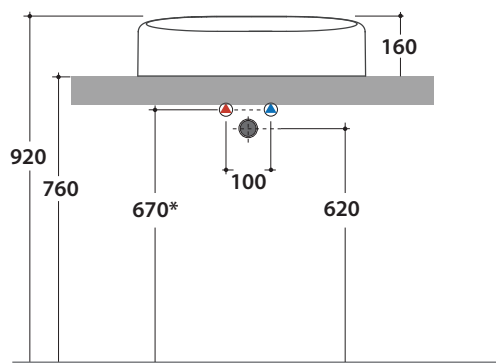
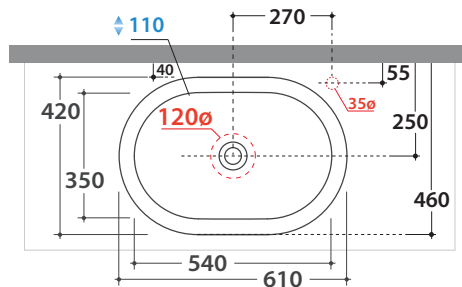
Cod. **LT601BI**

Basin 60.42 h16 cm. Sit-on installation . Weight 14 Kg

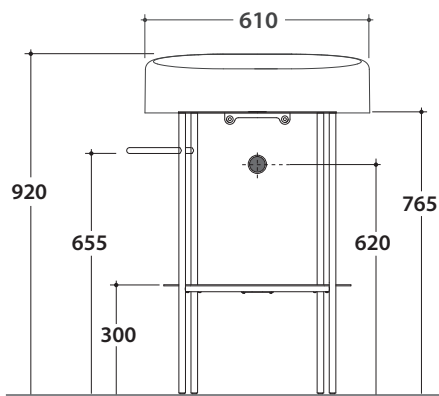
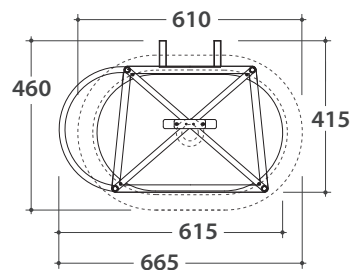


Cod. **LT001LAR**

Floorstanding structure in black matt steel 66.46 h 76,5 cm for sit-on basin LT061 with towel rail on the left. Weight 7,5 Kg



* For taps mounted on counter top



Cod. **FI024BI**

Valve drain with ceramic top for basins without overflow. Weight 0,5 Kg



Cod. **FI024CR**

Chromed valve drain for basins without overflow. Weight 0,5 Kg