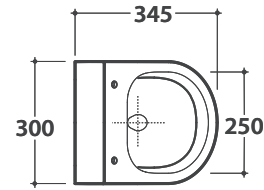


FORTY3 WALL-HUNG URINAL NO RIM

FO032BI

CE EN 13407:2015

GLOBO



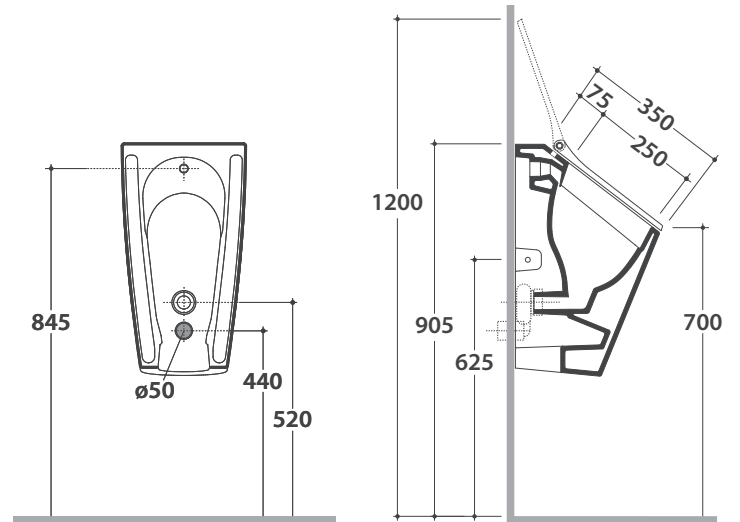
Ceramic antibacterial effect
BATAFORM®



Glazed product with
CERASLIDE®

Cod. **FO032BI**

Wall-hung urinal 30.34,5 cm. with holes for cover. Provided with water drainage system. Fixing kit included. Weight 17 Kg



Cod. **FO025BI**

Duroplast cover with soft-closing system. Weight 3,5 Kg

