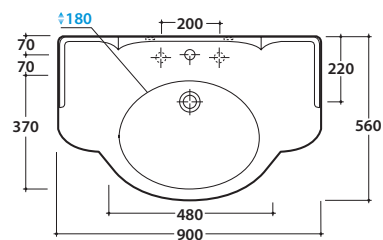


PAESTUM BASIN PA056BI

GLOBO



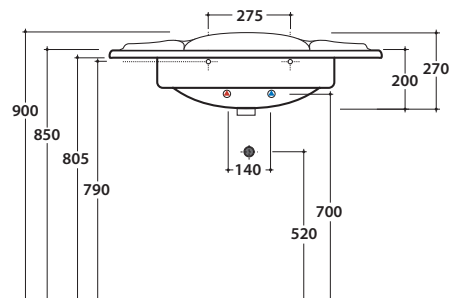
Ceramic antibacterial effect
BATAFORM®



Glazed product with
CERASLIDE®

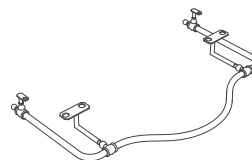
Cod. **PA056BI**

Basin 90.56 h27 cm. Wall-hung installation, on ceramic legs installation or on base.
Fixing kit included. Weight 26Kg



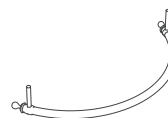
Cod. **PAPC56**

Brass chromium-plated towel rail. Weight 2,2 Kg



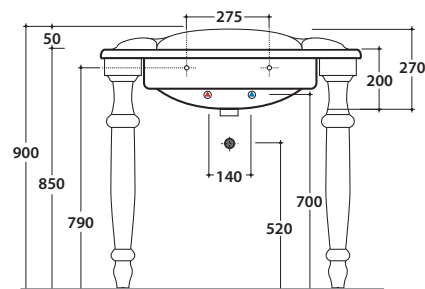
Cod. **PA096**

Old-looking metal towel rail. Weight 4,5 Kg



Cod. **PA075**

Ceramic leg for PA056
or PA022. Weight 9 Kg



Cod. **FI012BI**

Push open valve drain with ceramic top for basins with overflow. Weight 0,5 Kg



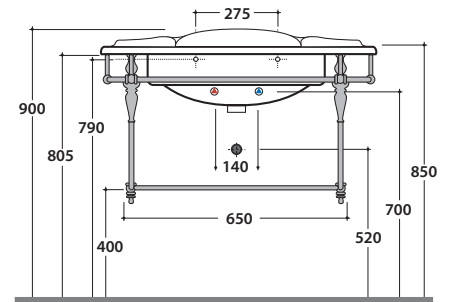
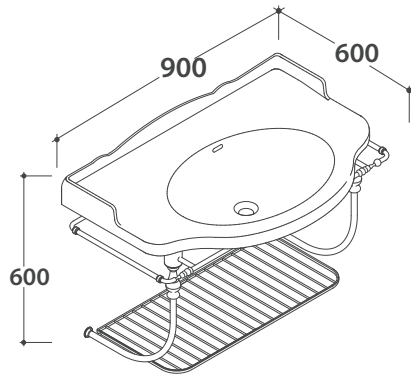
Cod. **FI012CR**

Push open chromed valve drain for basins with overflow. Weight 0,5 Kg

PAESTUM BASIN PA056BI

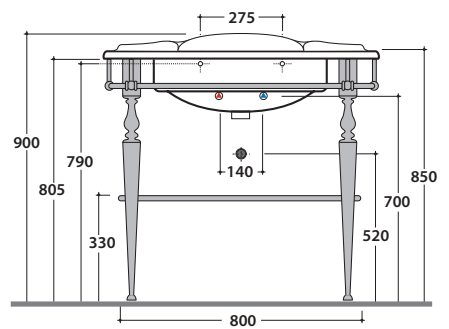
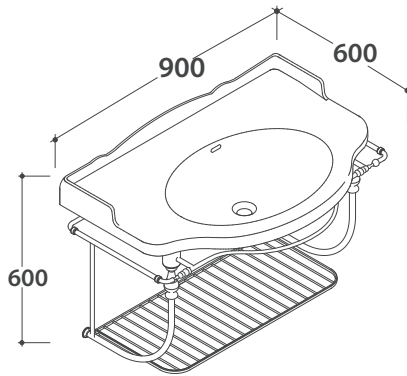
CE EN 14688:2015

GLOBO



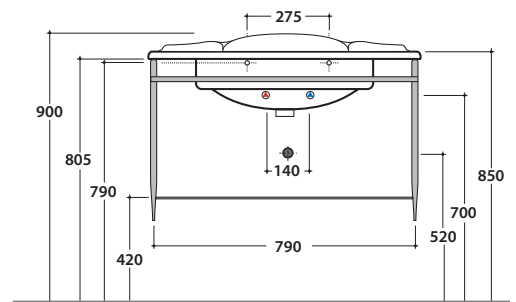
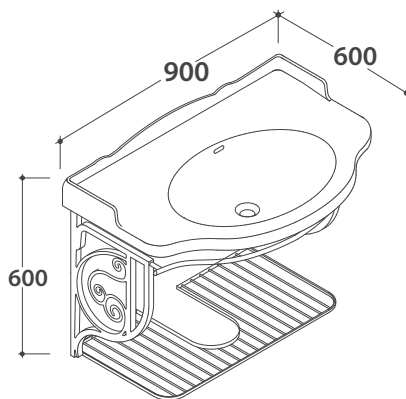
Cod. **PASC56**

Brass chromium-plated wall-hung structure 88.56 h46 cm, for basin PA056. Weight 9 Kg



Cod. **PATC56**

Brass chromium-plated floor-mounted structure 88.56 h46 cm, for basin PA056. Weight 12,5 Kg



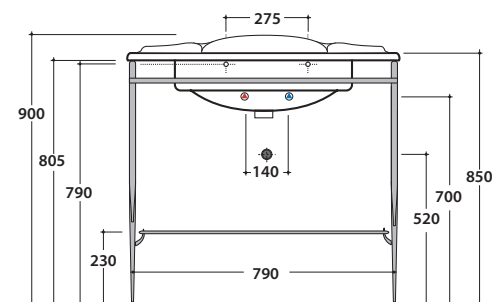
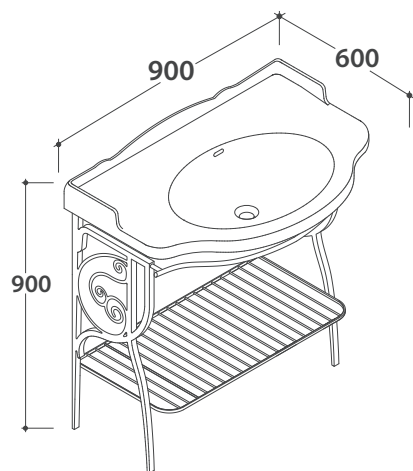
Cod. **PA067**

Old looking metal wall-hung structure 84.54 h47 cm, for basin PA056. Weight 7 Kg

PAESTUM BASIN PA056BI

CE EN 14688:2015

GLOBO



Cod. **PA072**

Old looking metal floor-mounted structure 85,55 h81 cm for basin PA056. Weight 8 Kg