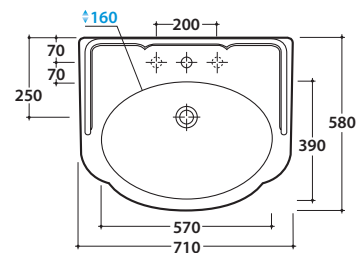


PAESTUM BASIN PA006BI

CE EN 14688:2015

GLOBO



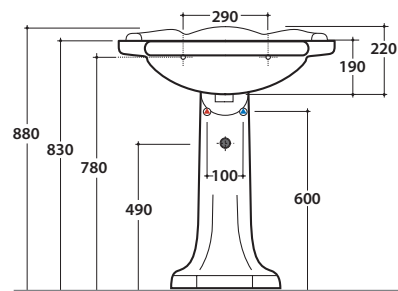
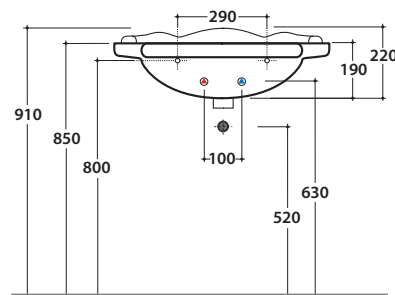
Ceramic antibacterial effect
BATAFORM®



Glazed product with
CERASLIDE®

Cod. **PA006BI**

Basin 71.58 h20 cm. Wall-hung installation or on floor mounted pedestal. Fixing kit included. Weight 24 Kg



Cod. **PA005BI**

Floor mounted pedestal. For basins PA006 and PA057. Weight 13 Kg



Cod. **FI012BI**

Push open valve drain with ceramic top for basins with overflow. Weight 0,5 Kg



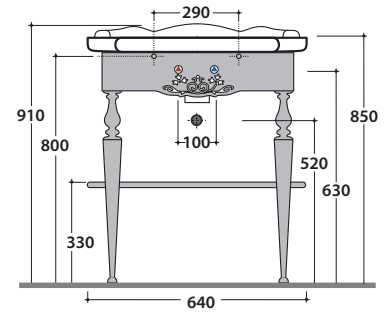
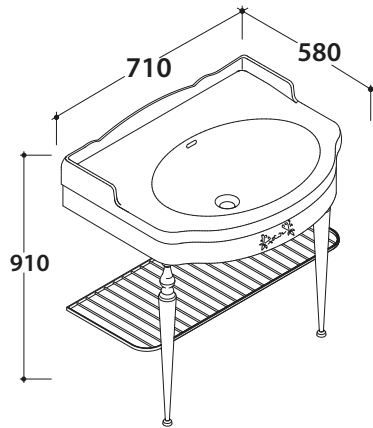
Cod. **FI012CR**

Push open chromed valve drain for basins with overflow. Weight 0,5 Kg

PAESTUM BASIN PA006BI

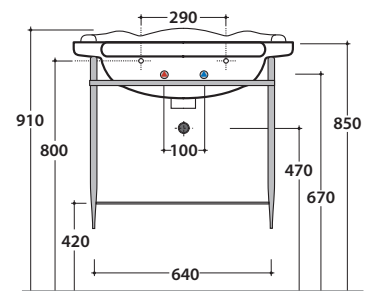
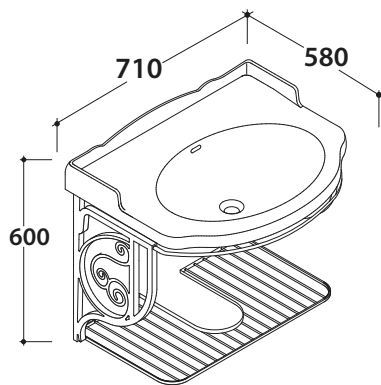
CE EN 14688:2015

GLOBO



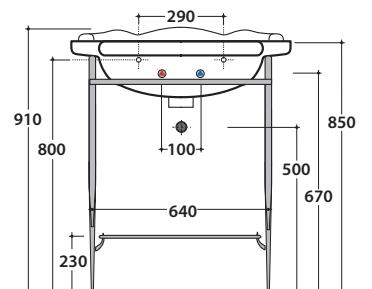
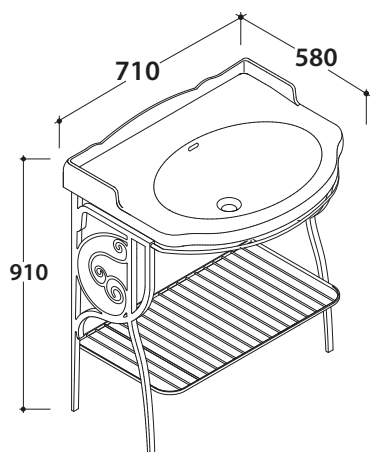
Cod. **PATC06**

Brass chromium-plated floor-mounted structure 65.56 h82 cm, for basin PA006. Weight 14,5 Kg



Cod. **PA035**

Old looking metal wall-hung structure 69.57 h56 cm, for basin PA006. Weight 6 Kg



Cod. **PA034**

Old looking metal floor-mounted structure 69.56 h81 cm, for basin PA006. Weight 8 Kg