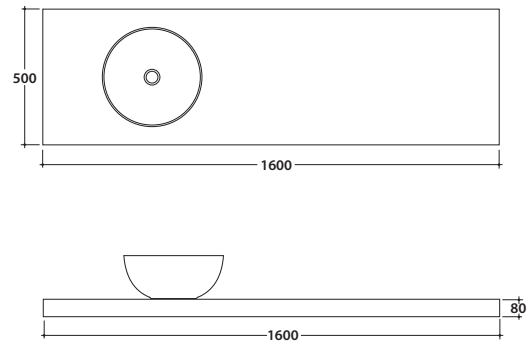
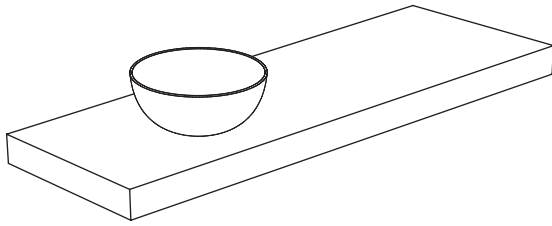


OPI WOODY SHELF 160.50 H8 CM OP006W

GLOBO



Cod. **OP006W**

Finish



Shelf

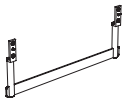


AU



RC

Shelf 160x50 h8 cm. Weight 18 Kg.



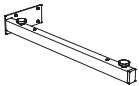
Cod. **OP010WAR**

Finish



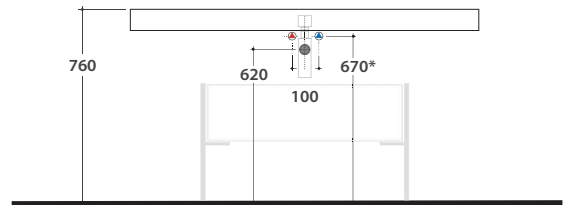
Steel matt black

Steel matt black towel rail for shelf



Cod. **FI020**

Support bar for washbasin shelf



* For taps mounted on counter top

Scheme of hydraulic connections for installed washbasins on WOODY shelves