

# MODE ME080BI

CE EN 14688:2018

Cod. **ME080BI**

Basin 80.49 h20cm. Wall-hung installation or on structur.  
Fixing kit included. Weight 19,2 kg.



CERASLIDE®



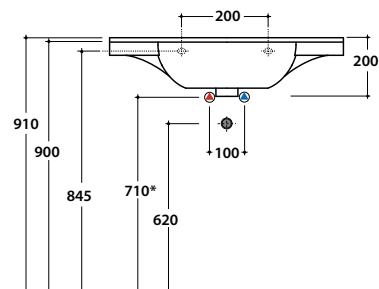
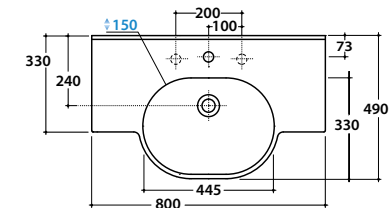
BATAFORM®



Bagno di Colore

# GLOBO

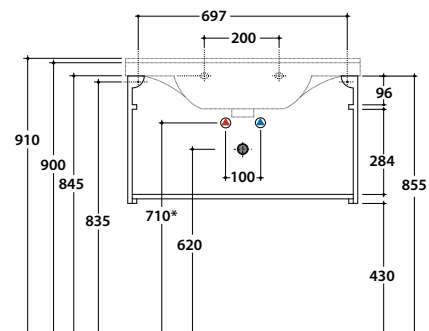
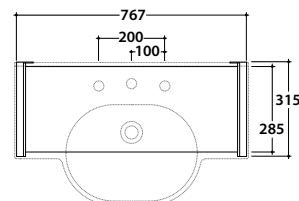
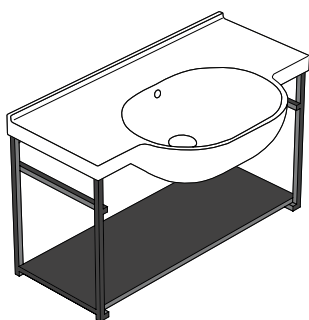
Inspired by **Life**



\* For taps mounted on counter top

Cod. **ME002SAR**

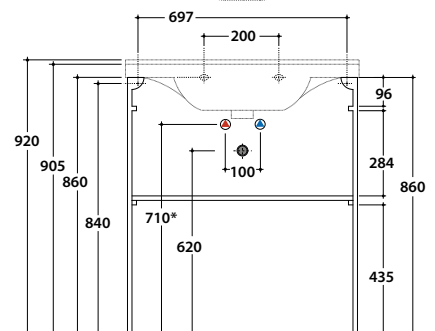
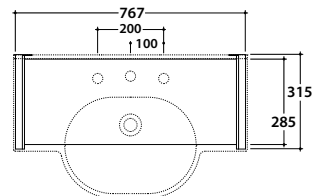
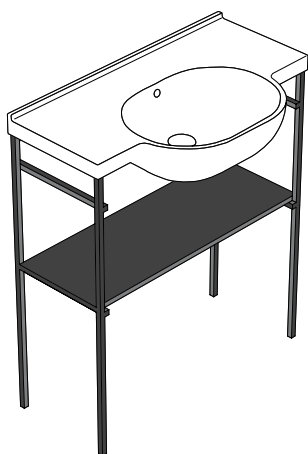
Wall hanging structure in black matt steel 76,7x31,5 h42 cm. For basin ME080. Weight 11 Kg



\* For taps mounted on counter top

Cod. **ME004SAR**

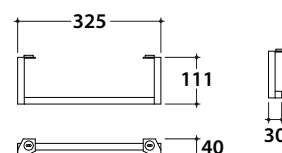
Floor mounted structure in black matt steel 76,7x31,5 h 85,5 cm. For basin ME080. Weight 10 Kg



\* For taps mounted on counter top

Cod. **ME001YAR**

Towel rail 32,5X4 h11 cm for basins ME100 and ME080. Weight 3 Kg.





EN 14688:2018

# GLOBO

Inspired by **Life**



## Tips for proper cleaning

### Ceramic cleaning

We recommend the use of warm water in combination with non-abrasive cleaning products

[Click to view or download](#)



DOP N° L001-01



CERASLIDE®

Is the result of years of research, on the glazes and the ceramic application, that ensures more protection, more resistance and ease of cleaning. The careful control of temperatures in the various cooking stages, in a cycle that can last up to 26 hours, ensures perfect homogeneity of the product during the sintering process, reducing porosity and guaranteeing greater resistance against stains, dirt and abrasions.



BATAFORM®

The antibacterial bataform treatment was developed to ensure deeper hygiene, basing its effectiveness on the reaction of silver ions, which inhibit the proliferation of bacteria. tests carried out by certified laboratories, according to the uni4543 standard, have confirmed a drastic decrease in the presence of bacteria, without however altering the glossy glaze. for cleaning operations, follow the recommendations given for the ceraslide glaze.