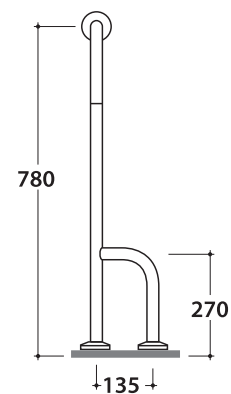
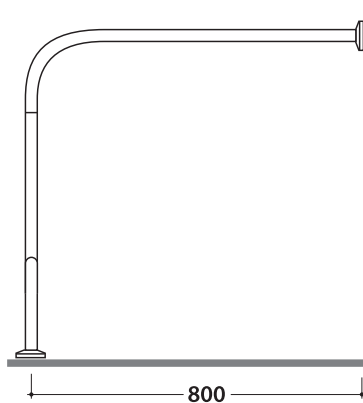


SAFETY HANDRAILFROM DS125

CE EN 12182:2012

GLOBO



Cod. **DS125**

Right safety handrail from wall to floor. Weight 2 Kg