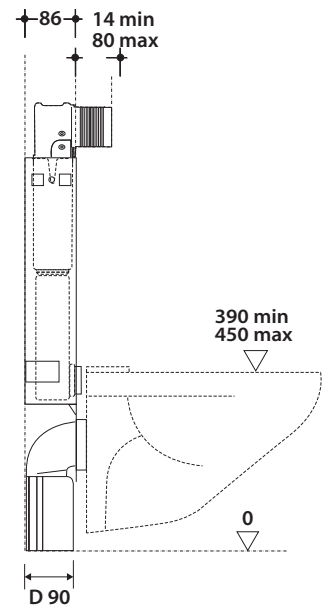
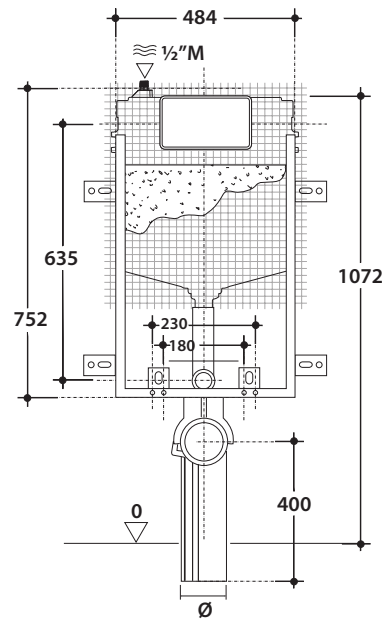


CISTERN FLUSH FOR WALL-HUNG WC ON MASONRY WALL

CAINSO4

CE EN 14055:2010

GLOBO



Cod. **CAINSO4**

Cistern flush built-in to double button for wall-hung pan with masonry walls. 2,6lt partial discharge, total discharge 4lt. Weight 7,5 Kg